



SwimClear™

CARTRIDGE FILTER

The industry's most efficient filter. Clearly.

SwimClear single element filters are simply the most efficient single element cartridge filters ever produced. They capture more dirt for superior water clarity without the need of supplemental media while the industry's lowest head loss can increase energy savings. SwimClear is also the easiest to service: the Easy-Lok™ ring design, ergonomic grip handles and lowest lift height provide fast cleaning and element replacement. For energy savings, reliable performance and cleaner, purer water, the choice is crystal clear: SwimClear.



The efficiency you need, the convenience you deserve.

SwimClear™ Cartridge Filters features and benefits:

- Superior efficiency – Captures more dirt for superior water clarity without the need of any supplemental media.
- Increased energy savings – Greater efficiency allows pump to run at lower speeds, reducing energy needs and passing cost savings on to you.
- Ease of installation – Offers perfect alignment with Hayward® variable-speed pumps for the ultimate in energy efficiency.
- Ease of service – Quick access to internal components for simple maintenance.
- Ergonomic grip handles – Provides easy installation and maintenance and ensures no contact with fibreglass-based surfaces.
- Lowest body height – Makes for convenient, fast cleaning and replacement.
- Recessed pressure gauge and manual air relief – Delivers head assembly convenience and head seal contamination protection.
- Hayward Universal 50mm X 65mm Union makes installation and servicing fast and easy.

SPECIFICATIONS – SWIMCLEAR CARTRIDGE FILTERS

FILTER TYPE	Cartridge Element: 100 ft² 150 ft² 200 ft² (9.29 m² 13.94 m² 18.58 m²)
FILTER TANK	High-Strength, Injection-Moulded durable glass reinforced copolymer
FILTER ELEMENT	Reinforced Polyester
FILTRATION RANGE	10-20 Microns
PERFORMANCE RANGE	379 to 455 LPM
DIMENSIONS	C100S: 775 mm H x 462 mm W* C150S: 857 mm H x 462 mm W* C200S: 984 mm H x 462 mm W*

NOTE: *Based on lock ring—width at base is 13" (330mm).

Easy to clean
cartridge elements

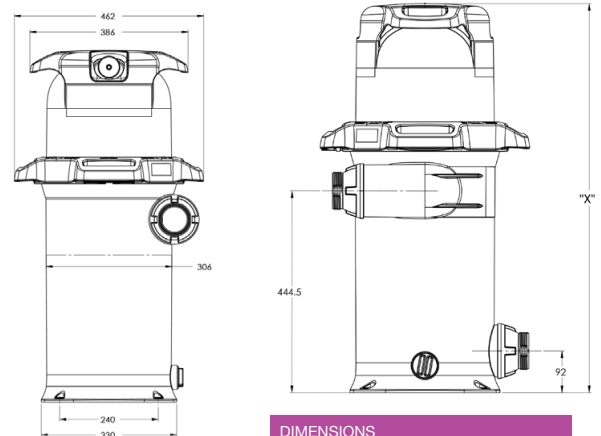


PERFORMANCE DATA

MODEL NUMBER	EFFECTIVE FILTRATION AREA		DESIGN FLOW RATE** LPM	LITRES	
	ft²	m²		8 hrs.	10 hrs.
RESIDENTIAL					
C100S	100	9.29	379	182,000	227,000
C150S	150	13.94	455	218,000	273,000
C200S	200	18.58	455	218,000	273,000
PUBLIC					
C100S	100	9.29	142	68,000	85,000
C150S	150	13.94	213	102,000	128,000
C200S	200	18.58	284	136,000	170,000

**Determined by pump size and piping system hydraulics; 50mm piping is recommended for flow rates of 341 LPM.
Public Design Flow rates based on 15.26 LPM/m²

Dimensional Drawings:



DIMENSIONS	
MODEL	"X" HEIGHT
C100S	775
C150S	857
C200S	984

To take a closer look at Hayward Filters or other Hayward® products, go to www.hayward-pool.com.au or call 1300 POOLS1



PO Box 4384 | Dandenong South, VIC, 3164



Hayward and Hayward Energy Solutions are registered trademarks and Easy-Lok and SwimClear are trademarks of Hayward Industries, Inc. © 2014 Hayward Industries, Inc.



30-LTBR-C201