

Powerline[®] by HAYWARD[®]

**Quiet, Compact, Efficient,
Affordable.**

Enjoy the silent operation,
and hassle free reliability of
the new and improved
PowerLine Pool Pump, from
Hayward Pool Products.



 **HAYWARD[®]**

>> Pumps >> Filters >> Heating >> Cleaners >> Sanitisation >> Automation >> Lighting >> White Goods



RELIABILITY YOU CAN DEPEND ON

The new Powerline Range from Hayward

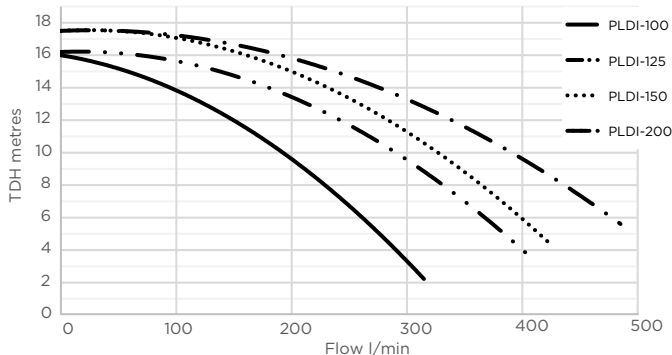
Get ready for a performance of a lifetime.

With a reputation for solid reliability, the Powerline Pool Pump Range is specifically engineered for the demanding requirements of today's pool and spa without compromising on refinement. The compact design makes installation easy, while the quiet running of the pump allows you to enjoy your pool in peace and quiet.

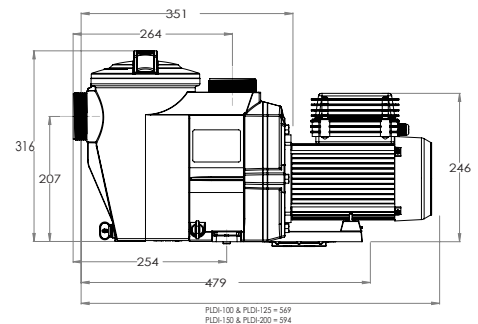
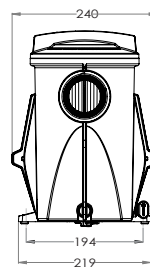
Technical Information

Model	HP	Max. Total Head	Input kW	Input Amps	Noise dB(A) 1m	Weight (kg)	Ingress Protection
PLDI-100	1	16 m - 157kPa	0.74	3.3	< 70	12.5	IPX5
PLDI-125	1.25	16.2 m - 159 kPa	0.98	4.34	< 70	13.4	IPX5
PLDI-150	1.5	17.5 m - 172 kPa	1.1	5.1	< 70	15.3	IPX5
PLDI-200	2	17.5 m - 172 kPa	1.38	6.23	< 70	15.3	IPX5

Performance Curves



Dimensional Drawing



Like what you see? E-Mail us for inquiries! sales@hayward-pool.com.au
or give us a call! **1300 POOLS1**

>> **Pumps** >> **Filters** >> **Heating** >> **Cleaners** >> **Sanitisation** >> **Automation** >> **Lighting** >> **White Goods**

Hayward and PowerLine are registered trademarks of Hayward Industries, Inc. © 2018 Hayward Industries, Inc. All other trademarks not owned by Hayward are the property of their respective owners. Hayward is not in anyway affiliates or endorsed by those third parties.

 **HAYWARD**
www.hayward-pool.com.au

